



TELSERRA[®]
Tailored Transaction Solutions

TMST3500TM

Mobile Smart Terminal | With Integrated Printer



Ideal for all Mobile Transactions

- Prepaid Mobile Recharge
- Lottery and Gaming
- Transport Industry Ticketing
- Inventory Data Collection
- Spot Billing for Utility Services
- RFID People/Asset Tracking
- FMCG / SFA
- Micro Banking
- Time and Route Management
- GPS Mapping and Tracking



Compact



Innovative



Rugged



TMST3500TM Mobile Smart Terminal

The TMST3500TM Mobile Smart Terminals offer several options ranging from the base model with a single serial port to more feature rich models that have built - in Smart Card Reader GPRS modems, RFID readers and/or WIFI connectivity.

Specifications

Key Features

CPU - Microchip 8-bit RISC Micro controller

Display - 3.0" FSTN Graphical Display, EL Backlight

Key Pad - 24 button keypad with dedicated menu keys and software function keys, waterproof

Memory - RAM 4KB / Data Memory 64KB

Communication Ports - RS232 (Upto 115200 bps), USB 2.0 (Peripheral)

Power - 9V/2A Regulated DC Adapter

Battery - Rechargeable 7.2V / 1000mAh Li-Polymer battery

Dimensions - L: 182 mm X W: 80 mm X H: 48 mm

Environment - Storage Temperature : -20° to +70°C
Operating Temperature : -10° to +65°C

Printer - 40 column Thermal Printing with high speed (60mm/sec), high resolution (8dot/mm), powerful text, graphics as well as barcode printing, paper out detection and easy paper loading with clamshell design.

Optionals

Memory - Internal Memory Extendable upto 8MB

Smart Card Reader - Supports ISO 7816, T = 0 & T = 1 protocols for all Memory, Secure Memory and Microprocessor smart cards ISO 14443 Mifare A Cards are also supported.

Magnetic Card Reader - ISO 7811, Uni-directional, Dual Track Magnetic stripe cards.

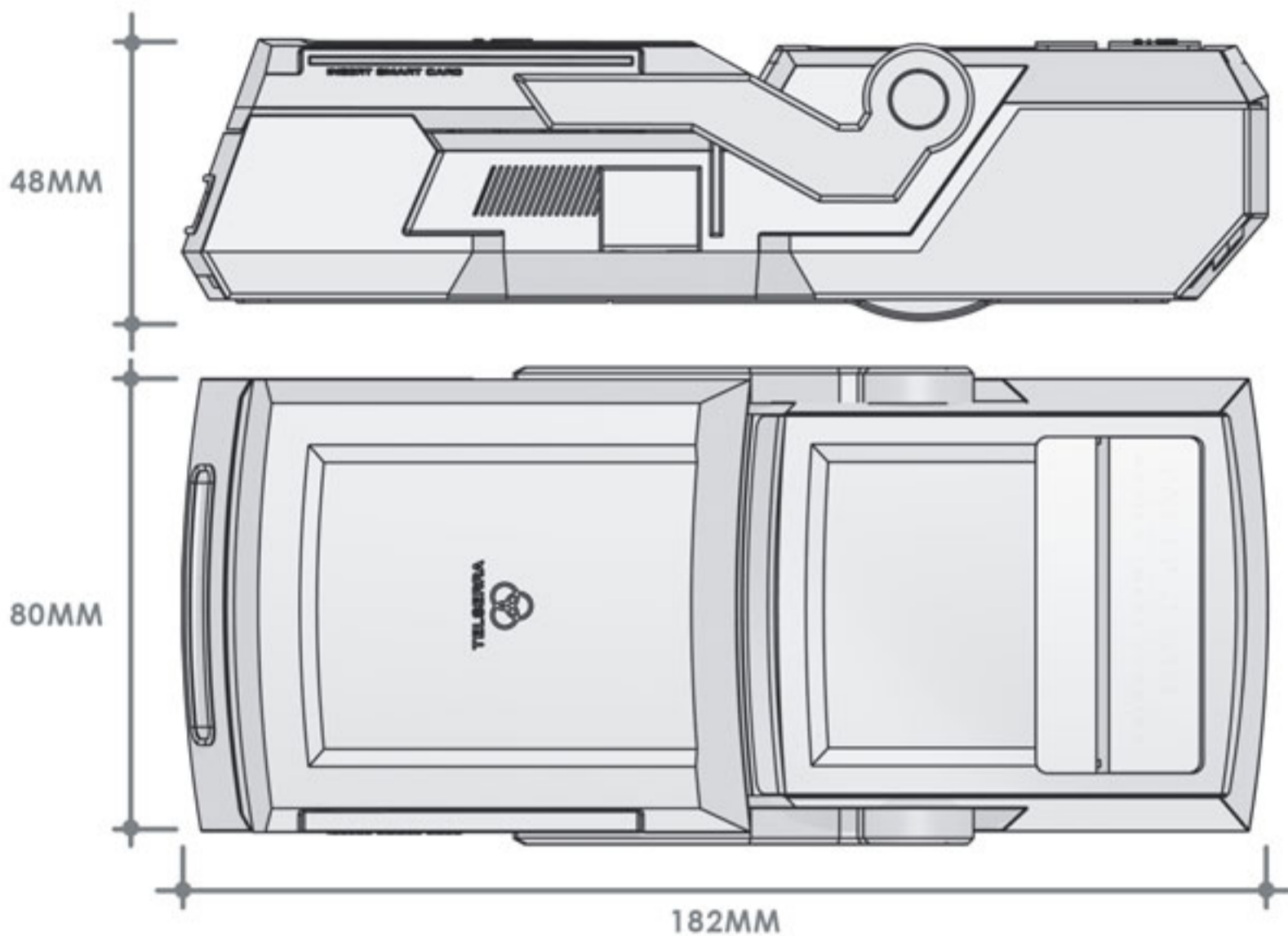
Barcode Scanner - Internal Barcode scanner as attachment 186 scans/sec (bi -directional);
1 Dimension: UPC, EAN CODE 39 / 93 / 128 :Interleaved 2 of 5, Discrete 2 of 5, Codabar, MSI Plessey.

Wireless LAN - 2.4 GHZ Direct Sequence Spread Spectrum (DSSS) Wireless Module with Internal Antenna.

Internal modem - GSM/GPRS Class 10 Dual/Tri/quad Band Modem supporting 850/900/1800/1900 Mhz with in-built Internal Antenna. Also Supports CDMA Technology

GPS - 12 Channel NMEA-0183 V3.01 protocol GPS module with built-in ceramic patch antenna, -132 dBm acquisition sensitivity, -145 dBm tracking sensitivity, optional WAAS/EGNOS

Dimensions



Telserra Global Inc. | An ISO 9001 : 2000 | For further queries please e-mail at sales@telserra.com

Europe, Asia, Africa Operations
Telserra India Pvt. Ltd.

Suite 501, Pacific Square
32nd Milestone, NH-8, Gurgaon - 122 001
Haryana, India
TEL : +91 124 4117071
FAX : +91 124 4117079

North and South American
Operations

1825 W. Ray Road, Suite 1130
Chandler, AZ 85224, USA
TEL : +1 480 855 7359
FAX : +1 480 452 1583

www.telserra.com